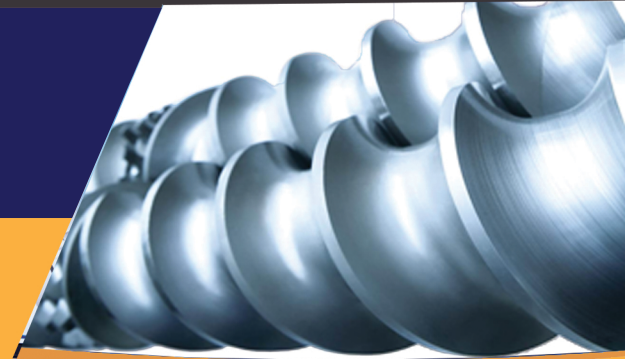


EXTRUDER-SCREW REPAIR SERVICES

Visit Us Online



PROVIDING QUALITY EXTRUDER SCREW REPAIR

to the plastic extrusion, compounding, PVC, film, polymer injection, and blow molding industries for over 40 years.

www.irmach.com | info@irmach.com



Rebuild Services Include



HARD SURFACING



STRAIGHTNING



MACHINING



GRINDING



POLISHING

Specializing in Single and Twin Barrell Extruder-screws

Special Hard Surfacing Alloys



NICKEL



TUNGSTEN CARBIDE



MOLYBDENUM



CHROME PLATING



STELITE



ALLOY 88

OEM Screws Serviced but limited to:



WELEX



NRM



STERLING



DAVIS-STANDART



CROWN



ZSK COPERION



BUSS CONDUX



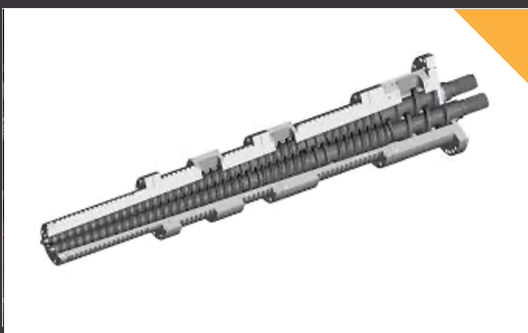
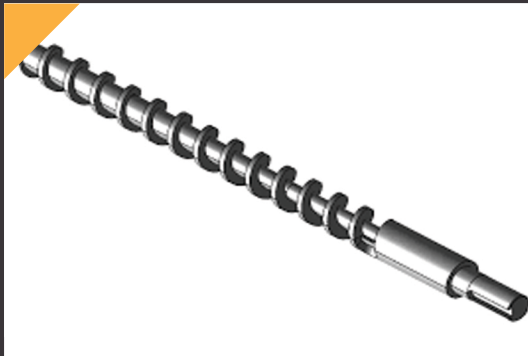
BAKER PERKINS



HENCHEL



CINCINNATI MILACRON



CALL US TODAY
361-433-6227

Extruder Screw Reconditioning- IRM specializes in complete repairing, rebuilding, straightening, machining, and polishing to precision tolerances, worn out, damaged extruder screws and components, that are, chipped, broken, bent, cracked, or totally worn, back to superior condition and in service fast.

At Industrial Rotating Machine we have extremely fast lead times to returning your screws back to you in operable, superior working condition.

FOR SHIPPING INFORMATION PLEASE CONTACT US